

(19)



Europäisches Patentamt
European Patent Office
Office européen des brevets



(11)

EP 1 159 883 A1

(12)

EUROPEAN PATENT APPLICATION
published in accordance with Art. 158(3) EPC

(43) Date of publication:

05.12.2001 Bulletin 2001/49

(51) Int Cl.7: **A41B 9/04, A41D 7/00**

(21) Application number: 99950377.4

(86) International application number:

PCT/JP99/02778

(22) Date of filing: 26.05.1999

(87) International publication number:

WO 00/72707 (07.12.2000 Gazette 2000/49)

(84) Designated Contracting States:

DE FR GB IT

(74) Representative:

Pellmann, Hans-Bernd, Dipl.-Ing. et al
Patentanwaltsbüro
Tiedtke-Bühling-Kinne
Bavariaring 4
80336 München (DE)

(71) Applicant: Toratani, Ikuo

Kahoku-gun, Isikawa 929-1172 (JP)

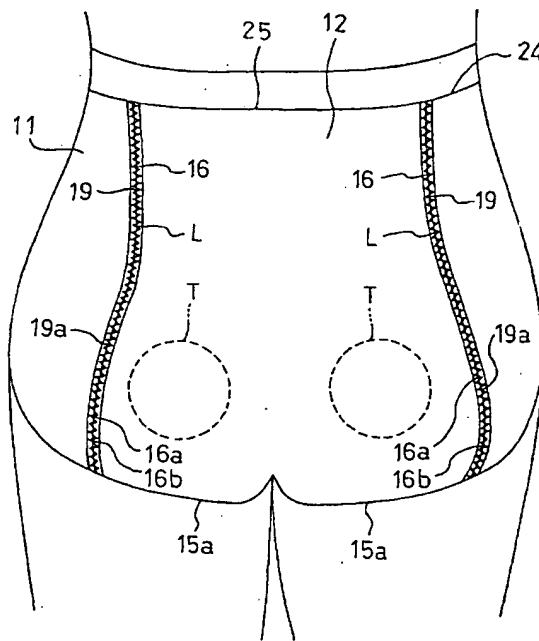
(72) Inventor: Toratani, Ikuo

Kahoku-gun, Isikawa 929-1172 (JP)

(54) **CLOTHING SUCH AS SHORTS OR BATHING SUIT**

(57) The invention provides a clothing such as shorts or a bathing suit in which a hip hemline is prevented from rising as a result of bending and stretching operations, and loose wrinkles and bugginess in a buttock lower portion are not produced in a standing posture. Lower end portions of right and left edges of a front body in which leg openings are formed in a bilaterally symmetrical manner intersect with lower end portions of hip hemlines of inner peripheries of the leg openings. Lower end portions of the right and left edges and downward extending from vertical intermediate positions are cut in a curved line (16a) which is outward convex. Portions (16b) of the curves (16a) which are lower than a vertical intermediate position are formed into a linear or curved shape. In a back body, lower end portions (19a) of right and left edges extending from a vertical intermediate position are cut into a shape which is spread as moving downward. Seamlines L between right and left edges of the front body and right and left edges of the back body are formed so as to elongate from back waist portions to the hip hemlines with outward detouring around the top T of the buttock.

Fig. 5



EP 1 159 883 A1

BEST AVAILABLE COPY

Description

Technical Field

[0001] The present invention relates to a clothing such as shorts, briefs, or a bathing suit.

Background Art

[0002] When the posture of a person is changed from a standing posture to a sitting posture, a bending or crouching posture, or the like, the shape of the lower half of the buttock is largely changed, and the skin of the lower half portion of the buttock is well stretched. According to measurement examples, in a standing posture, the vertical distance of the skin from the gluteal groove portion to the vicinity of the top of the buttock of a person of ordinary physique is 15 cm, and, in a sitting posture, the distance is increased to 25 cm. In usual shorts or a bathing suit, the hip hemline (an approximately rear half of the inner periphery of a leg opening) is in a position where the skin of the lower half portion of the buttock is stretched and contracted at the highest degree, and hence unstable. When shorts 10 are worn, as shown in Fig. 7, a hip hemline 15a of the shorts gradually rises in a direction from a position C to a position D, thereby producing discomfort. Therefore, the rising hip hemline 15a is sometimes pulled down by hand.

[0003] Conventionally, as means for preventing such rising of a hip hemline of shorts from occurring by means of patterning (a cutting method), for example, there are the following means. As shown in Fig. 9 in which a front body 11, a back body 12, and a gusset 13 are shown in developed form, cutting is performed so that the hip hemline 15a of the inner periphery of a leg opening 15 of the back body 12 is extended toward the center of the leg opening as indicated by the broken line F, and dart seams are formed so that an envelope for the buttocks is deep. Alternatively, as shown in Fig. 10, a back body 30 and a side piece 31 are sewn so as to pass over the top T of the buttock extending from a waist portion 32 to a hip hemline 33, and a dart which is long and large is formed between the back body 30 and the side piece 31, thereby enveloping the buttocks (Japanese Utility Model Registration No. 3022949).

[0004] However, in the means in which, as shown in Fig. 9, the hip hemline 15a of the back body 12 is cut in form that is extended toward the center of the leg opening 15 so as to deepen the envelope for the buttocks, the portion which is stretched in a sitting posture is formed into loose wrinkles in a standing posture, so that the appearance is often impaired.

[0005] In the means in which, as shown in Fig. 10, a dart which is long and large is obtained by the cutting method wherein the seamline L of the back body 30 passes over the top T of the buttock extending from the waist portion 32 to the hip hemline 33, the whole of the protruding buttocks can be fully enveloped. Even when

the hip size is identical, however, the hip shape is widely varied, and hence few persons have a hip shape just fitting to the hip portion. In the portion of the seamline L passing over the top T of the buttock, the flexibility of even a stretchable fabric itself is reduced by half. Therefore, the motion of the top T of the buttock which is caused by a sitting or rising operation is suppressed by the portion of the seamline L. In order that the hip hemline 33 is satisfactorily prevented for every person from rising in accordance with a motion of the buttock top T, therefore, a dart which is long and large must be formed between the back body 30 and the side piece 31. In this configuration, however, the dart portion which fits to the buttock in a sitting posture is loosened when the posture is changed to a standing posture, so that many loose wrinkles and bugginess are caused in the buttock lower portion and the gluteal groove portion, thereby impairing the beauty of the hip hemline.

[0006] In other words, in the cutting method wherein the seamline L of the back body 30 passes over the buttock top T as shown in Fig. 10, when it is intended to reduce such loose wrinkles and bugginess in the buttock lower portion and the gluteal groove portion, it is impossible to envelop the buttocks widely and deeply, and the effect of preventing the hip hem from rising is reduced by half.

[0007] In the shorts shown in Fig. 10 which is configured so that the seamline L of the back body 30 passes over the buttock top T, the portion of the seamline L of the back body 30 is closely contacted with the buttock top T which protrudes at the highest degree, particularly in a sitting posture, whereby a sense of discomfort is produced and the sense of touch is lowered. Furthermore, this causes an adverse effect that, when a person wears an outer garment which is tight and thin, a line elongating along the seamline L easily appears in a prominent manner on the outer garment and tends to attract attention.

Disclosure of Invention

[0008] The invention has been conducted in order to solve the problems of the conventional art. It is an object of the invention to provide a clothing such as shorts or a bathing suit in which a hip hemline can be surely prevented from rising, loose wrinkles and bugginess in the buttock lower portion and the gluteal groove portion are hardly produced in a standing posture, a beautiful hip hemline is obtained, and the wearing feeling is improved.

[0009] The clothing such as shorts or a bathing suit: of the invention is characterized in that, as shown in Figs. 4 and 8, lower end portions of right and left edges 16, 16 of a stretchable front body 11 in which leg openings 15 that are downward opened are formed in a bilaterally symmetrical manner intersect with lower end portions of hip hemlines 15a, 15a of inner peripheries of the right and left leg openings, portions of the right and

left edges 16, 16 and extending from vertical intermediate positions to the lower end portions are cut in a form which is connected by a curved edge 16a that is outward convex, portions 16b of the curved edges 16a which are lower than a vertical intermediate position are formed into a linear or curved shape, portions 19a of right and left edges 19, 19 of a stretchable back body 12 are cut into a shape which is spread as moving downward, the portions extending from vertical intermediate positions to lower end portions, a width (P) between the lower end portions of the right and left edges 19, 19 of the back body 12 is set to be equal to or larger than 0.6 times and equal to or smaller than 6 times a width (H) between the lower end portions of the right and left edges 16, 16 of the front body 11, the right and left edges 19, 19 of the back body 12 and the right and left edges 16, 16 of the front body 11 are sewn to each other, and, as shown in Fig. 5, seamlines L are formed so as to elongate from back waist portions 24 and 25 to the hip hemlines 15a with outward detouring around a top T of the buttock.

[0010] In a clothing which is obtained by performing setting, cutting, and sewing as described above, it is possible to obtain adequate three-dimensional bulges which are similar to the body shape in the vicinity of the hip hem, in a non-worn state. In a worn state, therefore, the hip hemline can deeply fit to the gluteal groove portion to deeply envelop the buttock lower portion, so that, even when the wearer moves, for example, vigorously bends at the waist, the hip hemline can be surely prevented from rising.

[0011] Particularly, the seamlines of the front body and the back body have a pattern which outwardly detours around the buttock top so as to avoid the top. Even when a pattern in which the hip hemline is downwardly elongated so as to deeply envelop the buttock lower portion is employed, therefore, loose wrinkles and bugginess in the buttock lower portion and the gluteal groove portion are hardly produced in a standing posture, and the buttocks can be enveloped widely and deeply, unlike the above-mentioned conventional art clothing in which the seamlines of the front body and the back body pass over the buttock top.

[0012] When the seamlines of the front body and the back body outwardly detour around the buttock top so as to avoid the top as described above, the buttock top can ensure the stretchability of the fabric itself of the buttock top of the back body. This stretchability enables the clothing to satisfactorily cope with motion of the buttock top. Therefore, the length and the size of darts required for preventing the rising can be made smaller than those of darts required in the case where the seamlines of the back body pass over the buttock top. In a standing posture, consequently, loose wrinkles and bugginess are hardly produced in the buttock lower portion and the gluteal groove portion, and a beautiful hip hemline can be obtained.

[0013] When the seamlines of the back body pass a lower place outside the buttock top which protrudes at

the highest degree, so as to avoid the top, a sense of discomfort due to the seamlines is hardly produced even in a sitting posture, and, even when a person wears an outer garment which is tight and thin, lines elongating along the seamlines appear in a less prominent manner on the outer garment as compared with the case where the seamlines pass the highest top of the buttock.

Brief Description of Drawings

[0014]

Fig. 1 is a front view of shorts of an embodiment of the invention.

Fig. 2 is a side view of the shorts.

Fig. 3 is a section view taken along the line A-A in Fig. 1.

Fig. 4A is a development plan view of a front body, a back body, and a gusset of the shorts.

Fig. 4B is a development plan view of a front body, a back body, and a gusset of another example of shorts.

Fig. 5 is a rear view showing the shorts of Fig. 4A in a worn state.

Fig. 6 is a side view showing a worn state of shorts in a standing posture.

Fig. 7 is a side view showing a worn state of shorts in a sitting posture.

Fig. 8 is a development plan view of a front body, a back body, and a gusset of shorts of another embodiment of the invention.

Fig. 9 is a development plan view of a front body, a back body, and a gusset of shorts of a conventional art example.

Fig. 10 is a rear view of shorts of another conventional art example.

Best Mode for Carrying Out the Invention

[0015] Fig. 1 is a front view of shorts of an embodiment of the invention, Fig. 2 is a side view of the shorts, Fig. 3 is a section view taken along the line A-A in Fig. 1, Fig. 4A is a development plan view of a front body, a back body, and a gusset of the shorts, and Fig. 5 is a rear view showing the shorts of Fig. 4A in a worn state.

[0016] In the shorts 10, the front body 11, the back body 12, and the gusset 13 which are shown in developed form in Fig. 4A are used as main configuring members. The members are made of stretchable fabric.

[0017] Referring to Fig. 4A, the front body 11 is cut so as to have a width which is larger than the width W between side lines 14, 14. In the lower end portion, leg openings 15, 15 which are downwardly opened are formed by cutting in a bilaterally symmetrical manner. In the illustrated example, the cutting is deeply performed so as to form the leg openings 15 for high-cut legs in a downward opening shape. A hip hemline 15a which occupies a substantially rear half of the inner periphery of

each of the leg openings 15 is formed in substantially parallel to the front center line S. Lower end portions of right and left edges 16, 16 of the front body 11 are formed so as to intersect with lower end portions of the hip hemlines 15a, 15a of the leg openings 15, 15.

[0018] Portions of the right and left edges 16, 16 of the front body 11 and extending from vertical intermediate positions to the lower end portions are formed into arcuately curved edges 16a which are outward convex. The curves of the curved edges 16a are employed in order to form a shape which is similar as far as possible to a curve R of the buttock lower portion that is drawn when the wearer sits on a chair, as shown in Fig. 6. When the radius of the whole curved edges 16a is small, loose wrinkles are easily produced in the places in a standing posture. In order to solve this, preferably, portions 16b (portions covering places which are immediately above the gluteal groove portion) of the curved edges 16a which are lower than a vertical intermediate position are formed into a linear or gently curved shape. In shorts of an ordinary size, preferably, an angle α formed by the hip hemline 15a and the lower portion 16b of the curved edge 16a is set to 25 to 80°, more preferably 45 to 60°.

[0019] On the other hand, the back body 12 is cut so that right and left edges 19, 19 of the back body are cut into an inclined shape which is spread as moving downward. In this case, it is not always necessary to form the right and left edges 19, 19 into a shape which is straight over the whole length extending from the waist portion 25 to the lower end portion. It is requested that at least portions 19a extend from the vertical intermediate position to the lower end portion are cut into a shape which is spread as moving downward. For example, the portions may be arbitrarily formed as curves such as E and E' indicated by the single-dashed line in Fig. 4A, or those such as F and F' indicated by the double-dashed line in the figure.

[0020] The portion of each of the right and left edges 19, 19 extending from the waist portion 25 to the vertical intermediate position can be arbitrarily drawn into an inclined line, a curved line, or the like. For example, the portion may be formed into an arcuate edge as indicated by the double-dashed line Q₁ in Fig. 4A. In this case, in accordance with the formation, the portion of each of the right and left edges 16, 16 of the front body 11 which extends from a waist portion 24 to the vertical intermediate position is cut as indicated by the double-dashed line Q₂.

[0021] The front body 11 and the back body 12 which are cut in this way are formed into a tubular shape by sewing together the right and left edges 16, 16 and 19, 19. An inner crotch front portion 20 which is formed into a concave arcuate shape in the center of the lower end of the front body 11, and an inner crotch rear portion 21 which is similarly formed into a concave arcuate shape in the center of the lower end of the back body 12 are connected to each other by the gusset 13. The down-

ward opening portions of the leg openings 15 of the front body 11 are connected to each other in an endless manner by inclined lower edges 22 through which the lower ends of the lower portions 19a of the back body 12 and the inner crotch rear portions 21, and edges 23 of the gusset 13.

[0022] It should be noted that, as shown in Fig. 5, seamlines L between the right and left edges 16, 16 of the front body 11, and the right and left edges 19, 19 of the back body 12 are formed so as to, in a worn state, elongate from places outside the back waist portions 24 and 25 to outward detour around the top T of the buttock and then reach the hip hemline 15a. In order to realize this, the width P between the lower end portions of the right and left edges 19, 19 of the back body 12 is set to be equal to or larger than 0.6 times and equal to or smaller than 6 times the width H between the lower end portions of the right and left edges 16, 16 of the front body 11. In Fig. 4A, the widths P and H are set to be approximately equal to each other. Fig. 4B shows the case where the width P is set to be about 6 times the width H.

[0023] Furthermore, as shown in Fig. 1, stretch lace 26 is sewn to the waist portions 24 and 25 of the front body 11 and the back body 12, and strip-like rubber 27 is sewn to the leg openings 15.

[0024] In the thus sewn shorts 10, as shown Figs. 2 and 3, adequate three-dimensional bulges which are similar to the body shapes of the buttock lower portions and the gluteal groove portion are formed in the vicinity of the hip hem. As shown in Fig. 6, therefore, the hip hemline 15a can deeply fit to the gluteal groove portion 28 to deeply envelop the buttock lower portion. Even when the wearer moves, for example, sits on a chair or vigorously bends at the waist, the hip hemline 15a can be surely prevented from rising from the position C of Fig. 7 to the position D.

[0025] Particularly, the seamlines L of the front body 11 and the back body 12 have a pattern which outwardly detours around the buttock top T so as to avoid the top T. Even when a pattern in which the hip hemline is downwardly elongated so as to deeply envelop the buttock lower portion is employed, therefore, loose wrinkles and bugginess in the buttock lower portion and the gluteal groove portion are hardly produced in a standing posture, and the buttocks can be enveloped widely and deeply, unlike the conventional art clothing in which the seamlines L of the front body 11 and the back body 12 pass over the buttock top T as shown in Fig. 10.

[0026] Since the seamlines L of the front body 11 and the back body 12 outwardly detour around the buttock top T so as to avoid the top T, the stretchability of the fabric itself of the buttock top T of the back body 12 can be ensured. This stretchability enables the clothing to satisfactorily cope with vigorous motion of the buttock top T. Therefore, the length and the size of darts required for preventing the rising can be made smaller than those of darts required in the case where the seamlines L of the back body 30 pass over the buttock top T as shown

in Fig. 10. As a result, in a standing posture, loose wrinkles and bugginess are hardly produced in the buttock lower portion and the gluteal groove portion, and the beautiful hip hemline 15a can be obtained. Furthermore, a sense of discomfort due to the seamlines L is hardly produced even in a sitting posture. Even when a person wears an outer garment which is tight and thin, lines elongating along the seamlines L appear in a less prominent manner on the outer garment as compared with the case where the seamlines pass the highest top T of the buttock.

[0027] Fig. 8 is a development plan view of a front body, a back body, and a gusset of shorts of another embodiment of the invention. In the embodiment, the whole curved edges 16a of the front body 11 are formed by curves which are relatively more gentle than the curves of the whole curved edges 16a of the above-described embodiment. In contrast to the above-described embodiment in which the hip hemlines 15a of the leg openings 15 are formed in substantially parallel to the front center line S, in the embodiment, the hip hemlines 15a of the leg openings 15 of the front body 11 are formed to be substantially symmetrical with the curved edges 16a, and an angle β formed by the front center line S and an extended line of each of the hip hemlines 15a is set to 40° or smaller, more preferably 35°. The width P between the lower end portions of the right and left edges 19, 19 of the back body 12 is set to be about 0.65 times the width H between the lower end portions of the right and left edges 16, 16 of the front body 11. The other points such as the shape of the back body 12, and that, in a worn state, the seamlines L of the front body 11 and the back body 12 elongate from places outside the back waist portions to outward detour around the top T of the buttock so as to avoid the top are configured in the strictly same manner as the above-described embodiment.

[0028] In the shorts of the embodiment also, the effects that a three-dimensional effect can be produced around the buttock lower portion and the gluteal groove portion, that the hip hemline 15a can be satisfactorily prevented from rising, that loose wrinkles and bugginess in the buttock lower portion are hardly produced in a standing posture, and that a beautiful hip hemline can be obtained can be attained in the same manner as the above-described embodiment.

[0029] In the above-described embodiments, the front and back bodies 11 and 12 are sewn to each other at the seamlines L. Alternatively, the front body 11 may not be a single fabric which is continuous between the right and left edges, or the above-described shape of the front body 11 may be formed by sewing.

[0030] The invention is not restricted to shorts, and may be similarly applied to a bathing suit, and may be similarly applied also to briefs for men.

Industrial Applicability

[0031] According to the invention, even when vigorous motion is performed after wearing, the hip hemline does not rise so that it is comfortable to wear, loose wrinkles and bugginess in the buttock lower portion and the gluteal groove portion are hardly produced even in a standing posture, and a beautiful hip hemline can be obtained. The invention is particularly suitable to shorts and a bathing suit.

Claims

1. A clothing such as shorts or a bathing suit characterized in that lower end portions of right and left edges (16, 16) of a stretchable front body (11) in which leg openings (15) that are downward opened are formed in a bilaterally symmetrical manner intersect with lower end portions of hip hemlines (15a, 15a) of inner peripheries of said right and left leg openings, portions of said right and left edges (16, 16) and extending from vertical intermediate positions to said lower end portions are cut in a form which is connected by a curved edge (16a) that is outward convex, portions (16b) of said curved edges (16a) which are lower than a vertical intermediate position are formed into a linear or curved shape,

portions (19a) of right and left edges (19, 19) of a stretchable back body (12) are cut into a shape which is spread as moving downward, said portions extending from vertical intermediate positions to lower end portions,

a width (P) between said lower end portions of said right and left edges (19, 19) of said back body (12) is set to be equal to or larger than 0.6 times and equal to or smaller than 6 times a width (H) between said lower end portions of said right and left edges (16, 16) of said front body (11), (12)

said right and left edges (19, 19) of said back body (12) and said right and left edges (16, 16) of said front body (11) are sewn to each other, and seamlines (L) are formed so as to elongate from back waist portions (24, 25) to said hip hemlines (15a) with outward detouring around a top (T) of the buttock.

Fig. 1

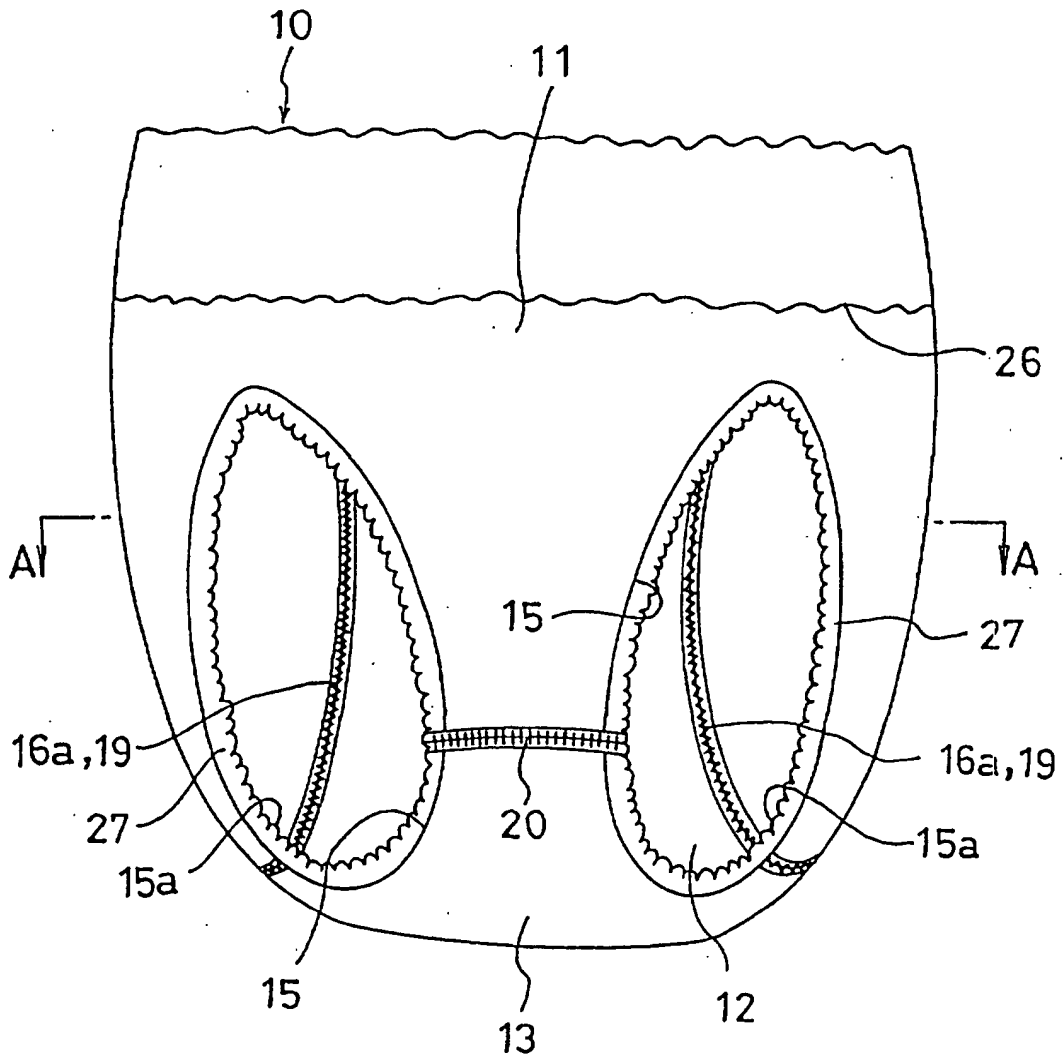


Fig. 2

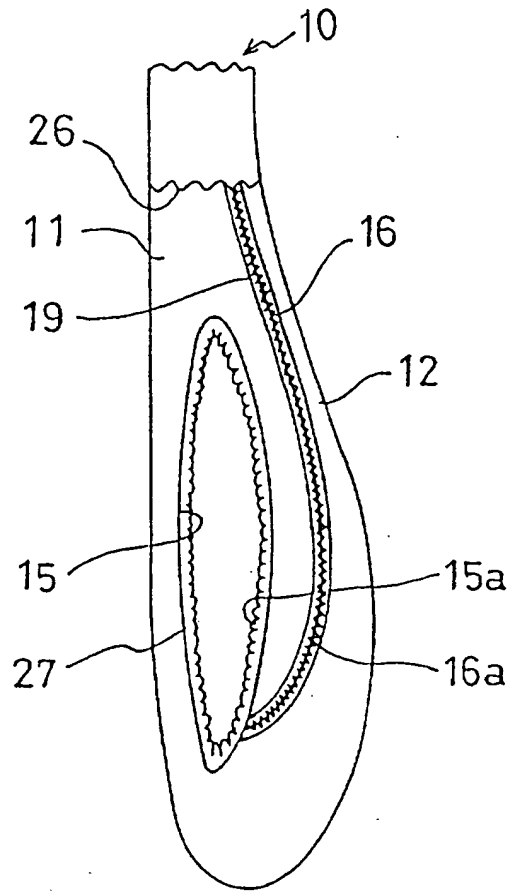


Fig. 3

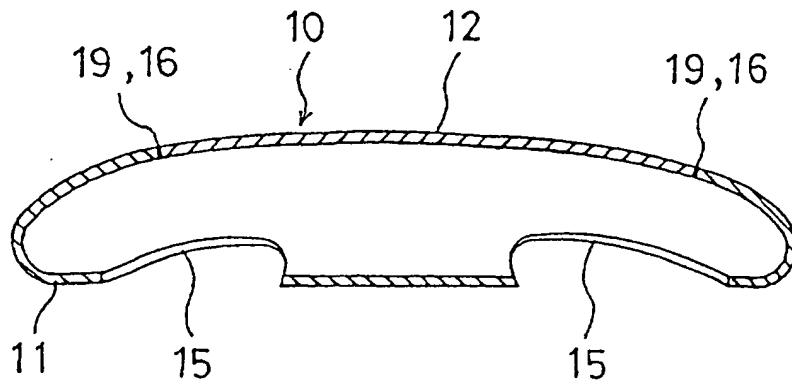


Fig. 4A

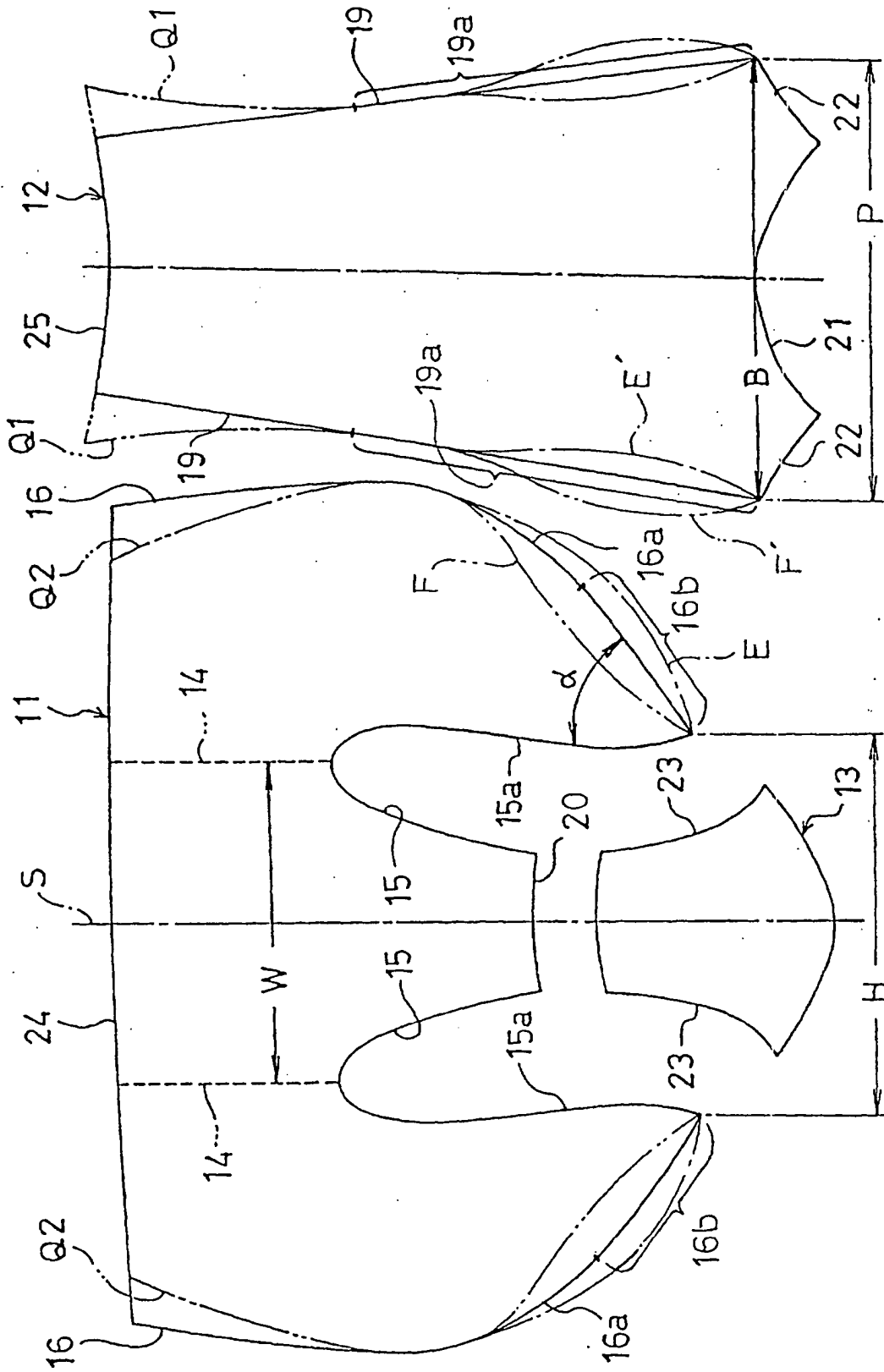


Fig. 4B

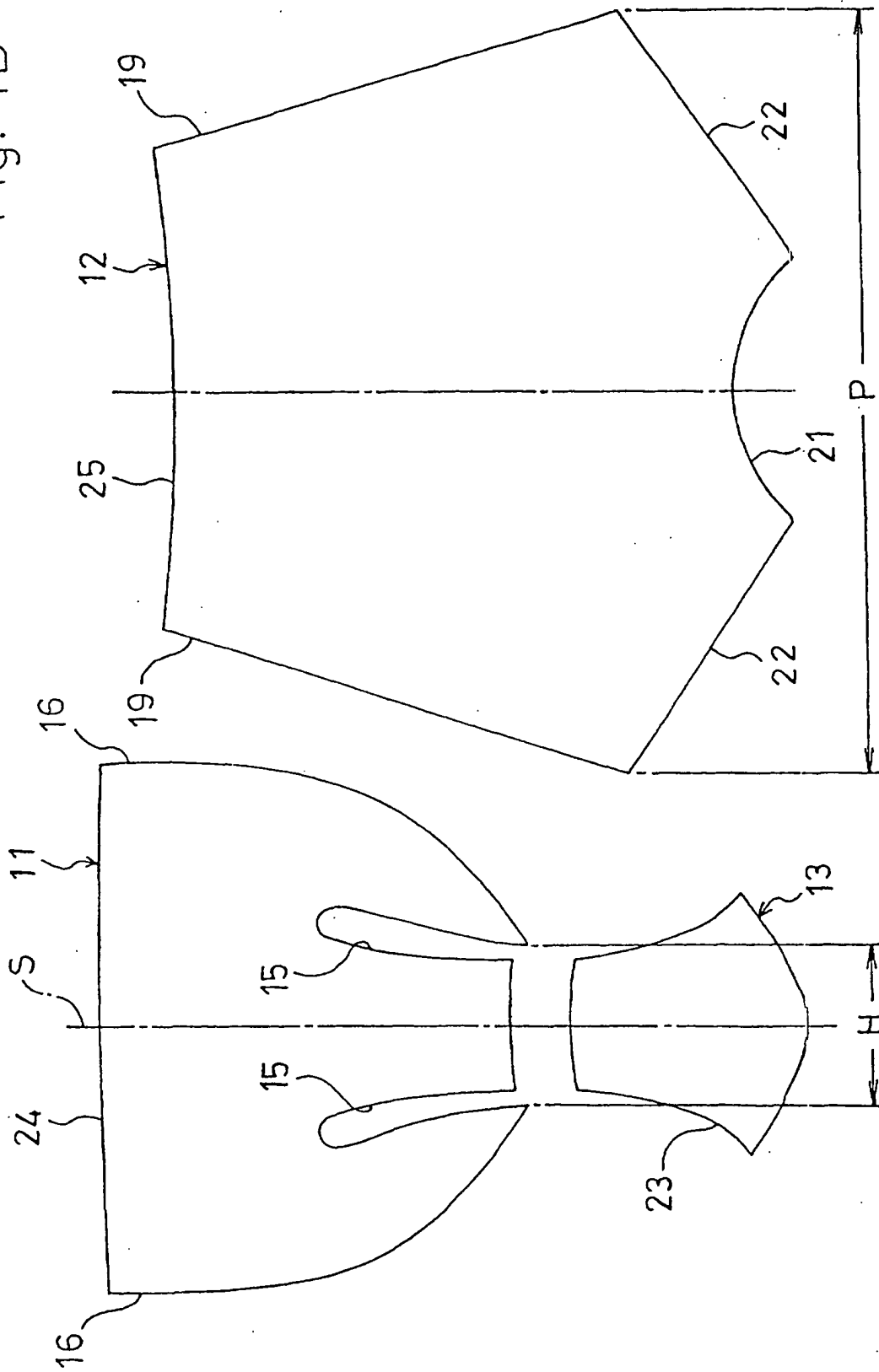


Fig. 5

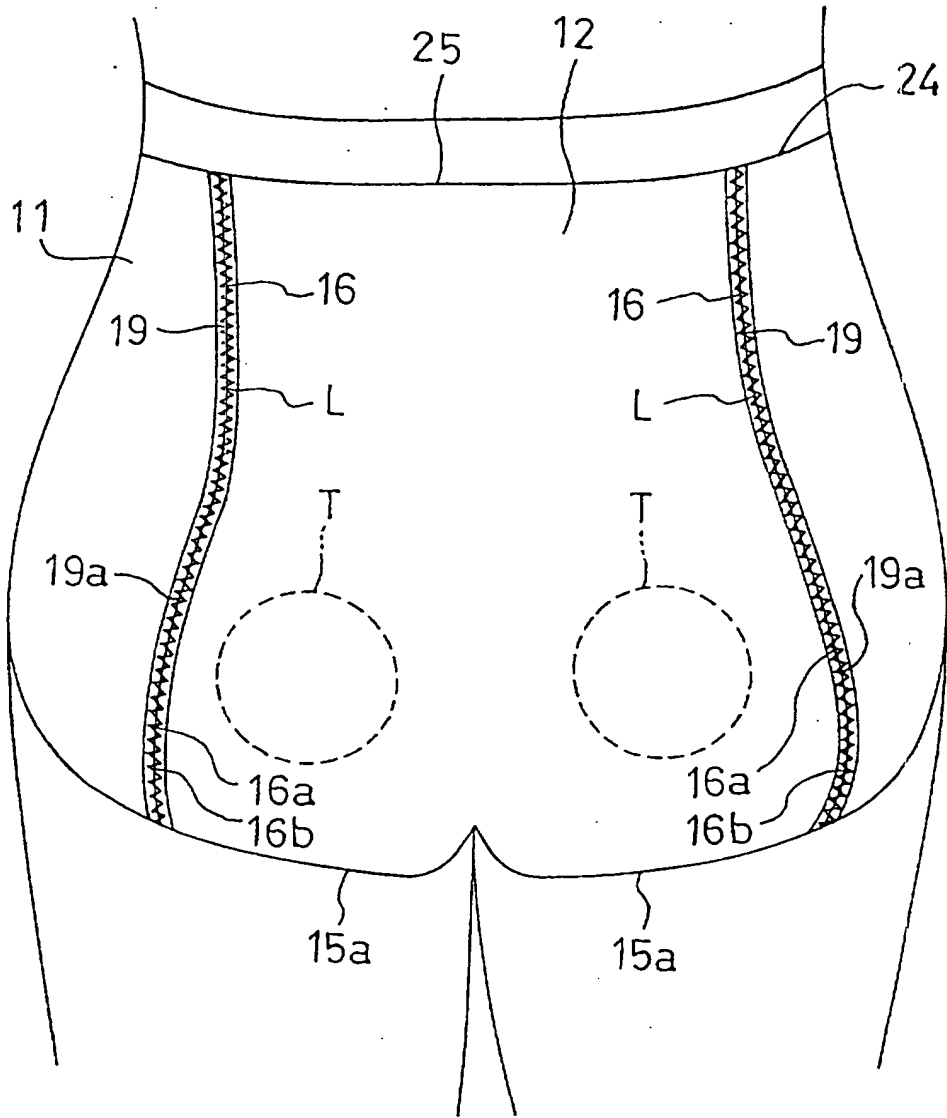


Fig. 6

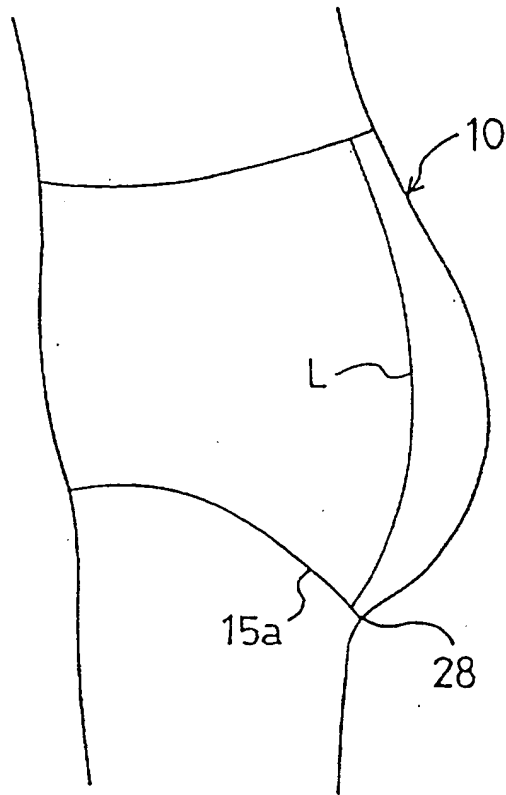


Fig. 7

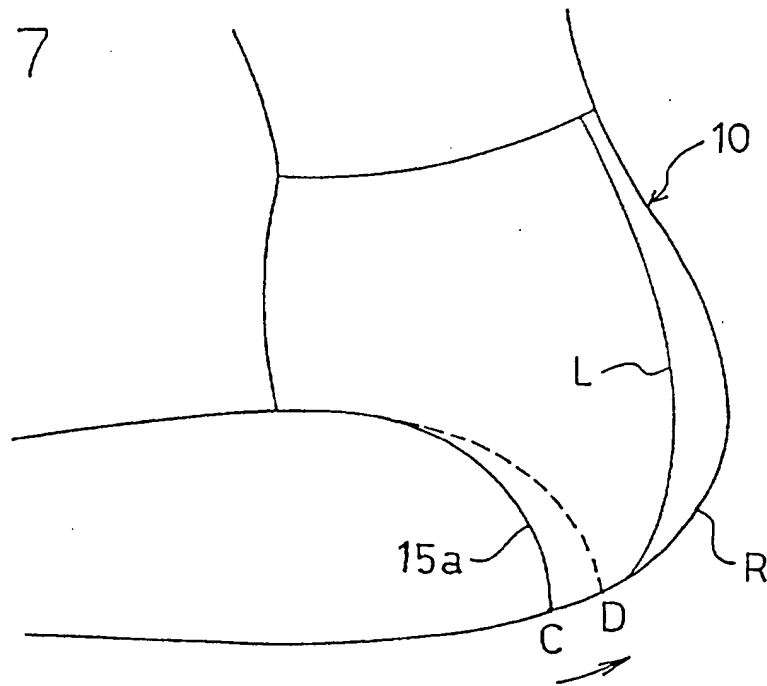


Fig. 8

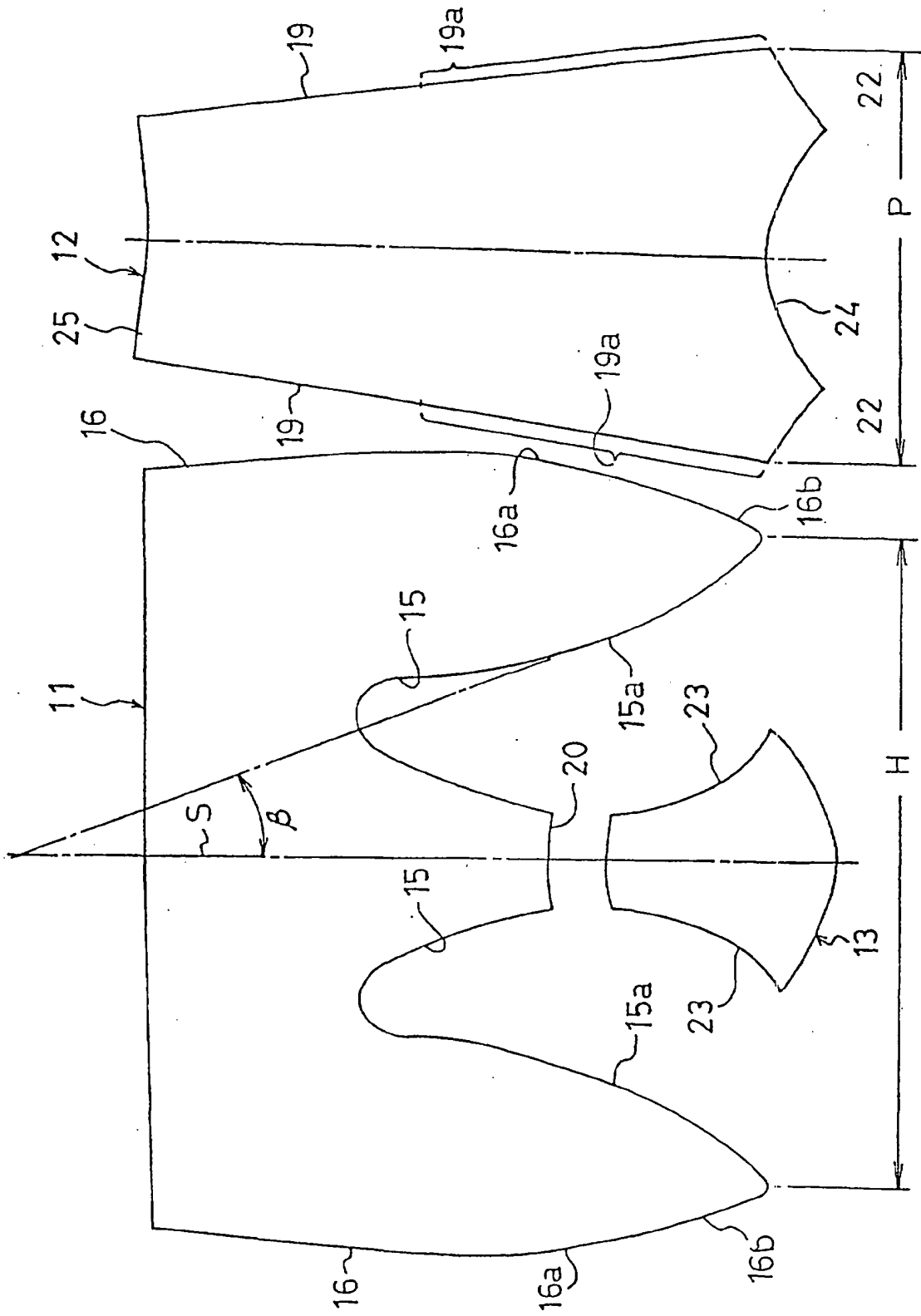


Fig. 9

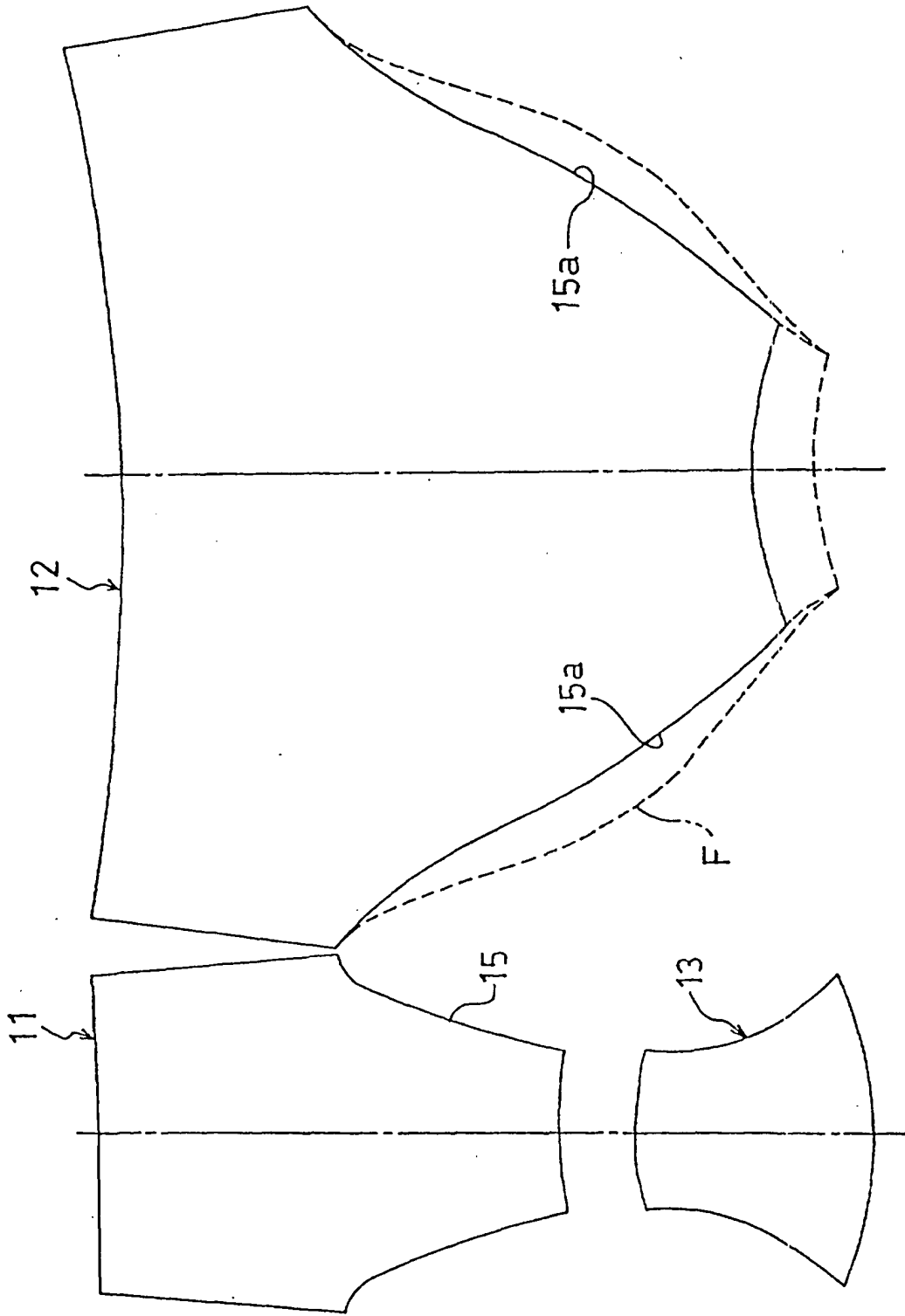
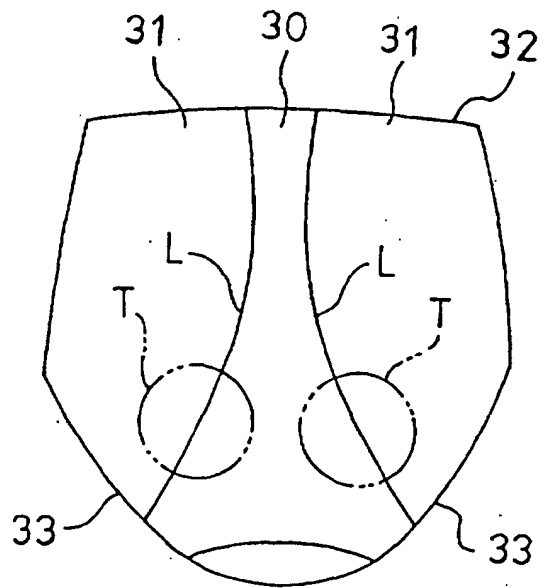


Fig.10



INTERNATIONAL SEARCH REPORT

International application No.

PCT/JP99/02778

A. CLASSIFICATION OF SUBJECT MATTER Int.Cl ⁸ A41B9/04, A41D7/00		
According to International Patent Classification (IPC) or to both national classification and IPC		
B. FIELDS SEARCHED		
Minimum documentation searched (classification system followed by classification symbols) Int.Cl ⁸ A41B9/02-9/04, A41D7/00, A41C1/00		
Documentation searched other than minimum documentation to the extent that such documents are included in the fields searched Jitsuyo Shinan Koho 1926-1996 Toroku Jitsuyo Shinan Koho 1994-1999 Kokai Jitsuyo Shinan Koho 1971-1996 Jitsuyo Shinan Toroku Koho 1996-1999		
Electronic data base consulted during the international search (name of data base and, where practicable, search terms used)		
C. DOCUMENTS CONSIDERED TO BE RELEVANT		
Category ^a	Citation of document, with indication, where appropriate, of the relevant passages	Relevant to claim No.
A	JP, 9-316708, A (Osaka Hosei K.K.), 9 December, 1997 (09. 12. 97) (Family: none)	1
A	JP, 3003595, U (K.K. Azu), 17 August, 1994 (17. 08. 94) (Family: none)	1
A	JP, 62-141101, A (Wacoal Corp.), 24 June, 1987 (24. 06. 87) (Family: none)	1
<input type="checkbox"/> Further documents are listed in the continuation of Box C. <input type="checkbox"/> See patent family annex.		
^a Special categories of cited documents: ^A document defining the general state of the art which is not considered to be of particular relevance ^E earlier document but published on or after the international filing date ^L document which may throw doubts on priority claim(s) or which is cited to establish the publication date of another citation or other special reason (as specified) ^O document referring to an oral disclosure, use, exhibition or other means ^P document published prior to the international filing date but later than the priority date claimed ^T later document published after the international filing date or priority date and not in conflict with the application but cited to understand the principle or theory underlying the invention ^X document of particular relevance; the claimed invention cannot be considered novel or cannot be considered to involve an inventive step when the document is taken alone ^Y document of particular relevance; the claimed invention cannot be considered to involve an inventive step when the document is combined with one or more other such documents, such combination being obvious to a person skilled in the art ^{&} document member of the same patent family		
Date of the actual completion of the international search 23 August, 1999 (23. 08. 99)		Date of mailing of the international search report 31 August, 1999 (31. 08. 99)
Name and mailing address of the ISA/ Japanese Patent Office		Authorized officer
Facsimile No.		Telephone No.

**This Page is Inserted by IFW Indexing and Scanning
Operations and is not part of the Official Record**

BEST AVAILABLE IMAGES

Defective images within this document are accurate representations of the original documents submitted by the applicant.

Defects in the images include but are not limited to the items checked:

- BLACK BORDERS**
- IMAGE CUT OFF AT TOP, BOTTOM OR SIDES**
- FADED TEXT OR DRAWING**
- BLURRED OR ILLEGIBLE TEXT OR DRAWING**
- SKEWED/SLANTED IMAGES**
- COLOR OR BLACK AND WHITE PHOTOGRAPHS**
- GRAY SCALE DOCUMENTS**
- LINES OR MARKS ON ORIGINAL DOCUMENT**
- REFERENCE(S) OR EXHIBIT(S) SUBMITTED ARE POOR QUALITY**
- OTHER:** _____

IMAGES ARE BEST AVAILABLE COPY.

As rescanning these documents will not correct the image problems checked, please do not report these problems to the IFW Image Problem Mailbox.